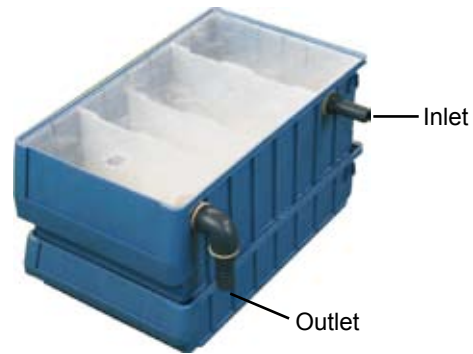


Neutralisation for acid condensate from oil condensing boilers

According to ATV Process Sheet A 251:

Technical data:

Fuel	Fuel oil EL (DIN 51 603 - 1)
Max. nominal heat load	30 kW
Neutralisation medium	Active charcoal + granulate material
Dimensions H x D x L	212 x 275 x 385
Connection for condensate inlet / outlet	DN 20 / 22



Installation:

Without condensate pump	With condensate pump
<p>Inlet: Shorten the siphon tube, connect to the horizontal section and secure with pipe clamp.</p> <p>Outlet: Connect the tube included with the kit and secure with pipe clamp. Loosen the grommet if necessary and pull on at an angle.</p>	<p>Outlet: Place grommet directly into pump.</p>
<p>Front view</p>	<p>Front view</p>
<p>Rear view</p>	<p>Rear view</p>

All connecting hoses and tubes must be laid so as to slope over their entire length.

Installation:

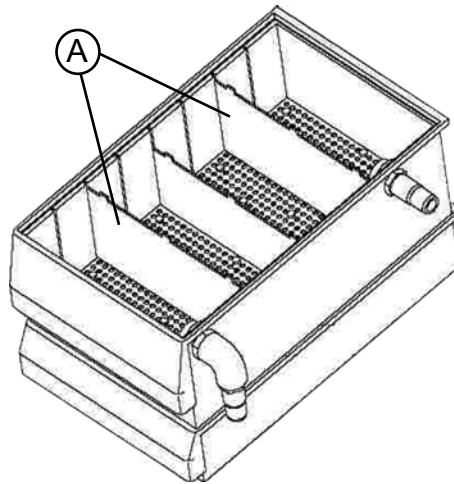
Before commissioning it must be ensured that

- 1) The neutralisation box is positioned and adjusted horizontally
- 2) The granulate is horizontally distributed.
- 3) Condensate and connecting hose are connected up correctly.
- 4) The outlets of the hoses are free and not blocked.
- 5) All hoses and the siphon connection are sealed and tight.
- 6) The neutralisation unit has been filled up with water.
- 7) All hose connections to the neutralisation box are secured with hose clips.

Servicing:

In order to ensure perfect functioning of the neutralisation unit, the neutralisation box has to be serviced annually.

- Separate the connections and remove the neutralisation box along with the siphon
- Screw off the siphon and clean.
- Open lid, remove old active charcoal bag, discharge granulate into a bucket.
- Remove partition walls (A) and the two perforated bases, clean the box with water.



- Re-insert partition walls (A) and the two perforated bases.
- Replace granulate and fill up to the height of the middle bar with refill granulate (available from WOLF). Make sure that the granulate is evenly distributed horizontally.



- Insert new active charcoal bag (available from WOLF).
- Reassemble in reverse order.

Disposal:

Granulate residues and the active charcoal can be disposed of along with normal domestic waste if the waste is incinerated. If this is not the case, the relevant competent body (regional or municipal authority responsible for waste disposal) should be consulted.